

Purge Valves

Applications

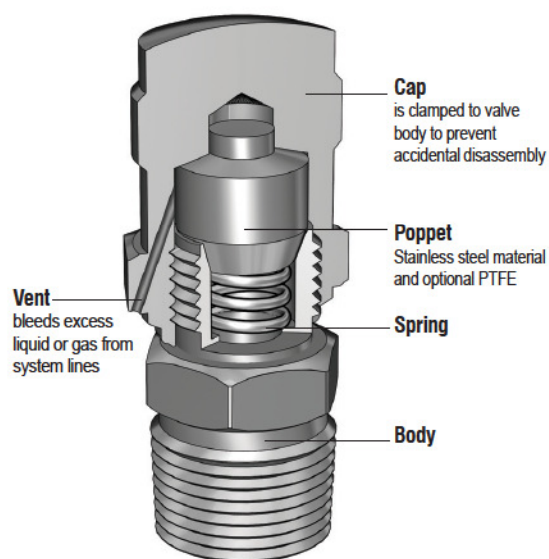
SUPERLOK purge valves are manual bleed, vent, or drain valves. One-quarter turn with a wrench from finger-tight obtains leaktight closure on first makeup. Snugging with a wrench ensures closure to the rated pressure with subsequent makeups.

Features

- Compact for convenient installation.
- Vent hole is bled excessive liquid or gas from system lines.
- Cap is crimped to valve body to prevent accidental disassembly.
- Variety of end connections : SUPERLOK tube fittings, NPT and ISO threads.

Caution

When installing a SUPERLOK purge valve, position the vent hole to direct system fluid away from operating personnel. The vent hole rotates with the cap, changing the direction of discharge as the cap is turned. Always open purge valves slowly. These valves contain no packing, so some fluid seepage will occur when the valves are opened. operating personnel must protect themselves from exposure to system fluids.



Materials of Construction

Component	Valve Body Materials
Cap	316 SS / A276
Body	316 SS / A276
Poppet	316 SS / A276
Spring	304 SS

Technical Data

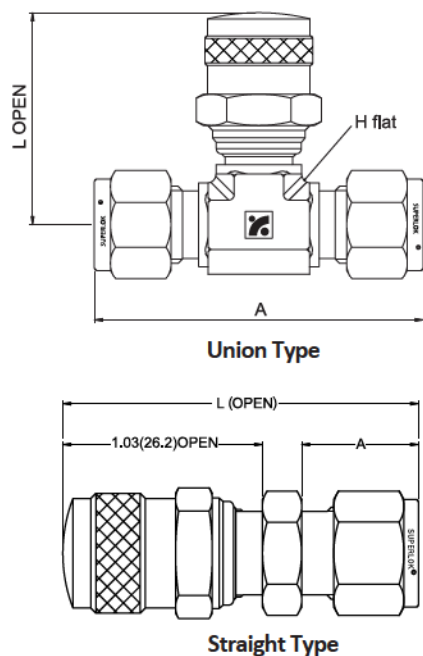
Series	Pressure - Temperature Rating	
	Temperature	Working Pressure
SPUV	-65 to 600°F (-54 to 315°C)	4,000psig (275bar) @100°F (38°C)

Pressure - temperature ratings

Temperature, °F(°C)	Working Pressure, psig (bar)
-65(-53) to 100(37)	4,000(275)
150(65)	3,720(256)
200(93)	3,440(237)
300(148)	3,105(213)
350(176)	2,975(204)
400(204)	2,850(196)
450(232)	2,750(189)
500(260)	2,650(182)
600(315)	2,500(172)

• Rating based on 316 stainless steel body material.

Table of Dimension



Union Type

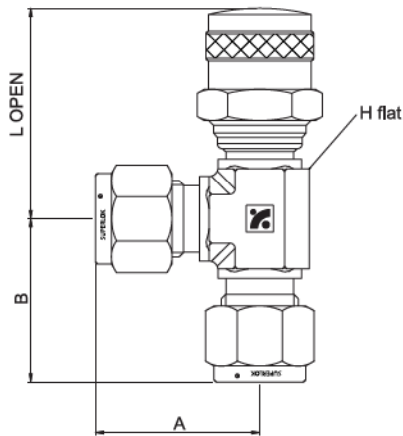
Part Number	Inlet End Connection	Dimensions in.(mm)			
		L	A	H	
SPUV	S4-UT	1/4" SUPERLOK	1.49(38.0)	2.26(57.5)	0.63(15.9)
	S6-UT	3/8" SUPERLOK	1.49(38.0)	2.40(61.0)	0.63(15.9)
	S8-UT	1/2" SUPERLOK	1.61(41.0)	2.82(71.6)	0.81(20.6)

Straight Type

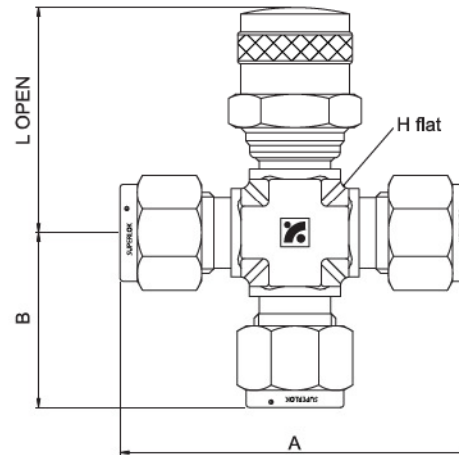
*Part Number	Inlet End Connection	Dimensions in.(mm)		
		L	H	
SPUV	F2N	1/8" Female NPT	1.56 (39.6)	0.53 (13.5)
	F4N	1/4" Female NPT	1.75 (44.4)	0.72 (18.3)
	F6N	3/8" Female NPT	1.81 (46.0)	0.78 (19.8)
	F8N	1/2" Female NPT	1.98 (50.3)	0.97 (24.6)
	M2N	1/8" Male NPT	1.62 (41.1)	0.38 (9.7)
	M4N	1/4" Male NPT	1.81 (46.0)	0.56 (14.2)
	M6N	3/8" Male NPT	1.84 (46.7)	0.56 (14.2)
	M8N	1/2" Male NPT	2.09 (53.1)	0.75 (19.1)
SPUV	S2	1/8" SUPERLOK	1.84 (46.7)	0.59 (15.0)
	S4	1/4" SUPERLOK	1.94 (49.3)	0.69 (17.5)
	S6	3/8" SUPERLOK	2.03 (51.6)	0.75 (19.1)
	S8	1/2" SUPERLOK	2.19 (55.6)	0.88 (22.4)
	S6M	6mm SUPERLOK	1.94 (49.3)	0.69 (17.5)
	S8M	8mm SUPERLOK	2.00 (50.8)	0.72 (18.3)

- Dimensions and Drawings are for reference only and are subject to change without prior notice.
- Unless otherwise specified, all dimensions are in millimeters.
- Sizes, pressure classes, and end connections not listed are available upon request.
- Dimensions shown with SUPERLOK nuts finger-tight, where applicable.

Table of Dimension



Elbow Type



Tee Type

Part Number	Inlet End Connection	Dimensions, in.(mm)				
		L	A	B	H	
SPUV	S4-ET	1/4" SUPERLOK	1.49 (38.0)	1.13 (28.8)	1.13 (28.8)	0.63 (15.9)
	S6-ET	3/8" SUPERLOK	1.49 (38.0)	1.20 (30.5)	1.20 (30.5)	0.63 (15.9)
	S8-ET	1/2" SUPERLOK	1.61 (41.0)	1.41 (35.8)	1.41 (35.8)	0.81 (20.6)

Part Number	Inlet End Connection	Dimensions, in.(mm)				
		L	A	B	H	
SPUV	S4-TT	1/4" SUPERLOK	1.49 (38.0)	2.26 (57.5)	1.13 (28.8)	0.63 (15.9)
	S6-TT	3/8" SUPERLOK	1.49 (38.0)	2.40 (61.0)	1.20 (30.5)	0.63 (15.9)
	S8-TT	1/2" SUPERLOK	1.61 (41.0)	2.82 (71.6)	1.41 (35.8)	0.81 (20.6)

- Dimensions and Drawings are for reference only and are subject to change without prior notice.
- Unless otherwise specified, all dimensions are in millimeters.
- Sizes, pressure classes, and end connections not listed are available upon request.
- Dimensions shown with SUPERLOK nuts finger-tight, where applicable.

Ordering Information

Example :

SPUV - S 4 - UT - B

1
2
3
4
5

1. Valve Series

- SPUV

2. End Connection

- S = SUPERLOK Tube Fitting
- F = Female Thread
- M = Male Thread

3. End Connection Size

Tube O.D Designator

Tube O.D (inch)	1/4	3/8	1/2
Designator	4	6	8
Tube O.D (mm)	6	10	12
Designator	6M	10M	12M

Pipe Thread Designator

Size (inch)	1/8	1/4	3/8	1/2
BSPT	2R	4R	6R	8R
NPT	2N	4N	6N	8N

4. Pattern Designator

- (Blank) = Straight Type
- UT = Union Type
- ET = Elbow Type
- TT = Tee Type

5. Body Material

- (Blank) = 316 Stainless Steel
- B = Brass

※ For special sizes and configurations, please consult BMT (SUPERLOK) sales representative.